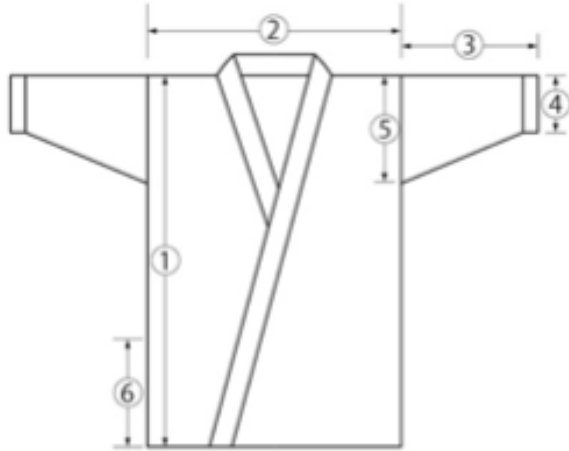
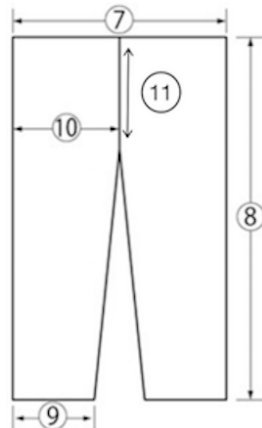


WKF Approved if Desired



NOTE: 1b refers to the jacket back length which is 3cm longer than the jacket front length.

SIZE	2	2 1/2	3	3 1/2	4	4 1/2	5	5 1/2	6	6 1/2	7	7 1/2
1	70	73	76	79	82	85	88	91	94	97	100	103
1b	73	76	79	82	85	88	91	94	97	100	103	106
2	54	54	56	56	58	58	60	60	62	62	64	64
3	38	39	40	41	42	43	44	45	46	47	48	49
4	17	17	18	18	18	18	18	18	18	18	20	20
5	22	22	24	24	25	25	26	26	27	27	28	28
6	29	30	31	32	33	34	35	36	37	38	39	40



SIZE	2	2 1/2	3	3 1/2	4	4 1/2	5	5 1/2	6	6 1/2	7	7 1/2
7	40	40	44	44	48	48	52	52	56	56	60	60
8	78	81	84	87	90	93	96	99	102	105	108	111
9	25	25	27	27	29	29	31	31	33	33	35	35
10	29	29	30	30	32	32	34	34	36	36	38	38
11	18	18	19	19	20	20	21	21	22	22	23	23

Measurements in Centimeters