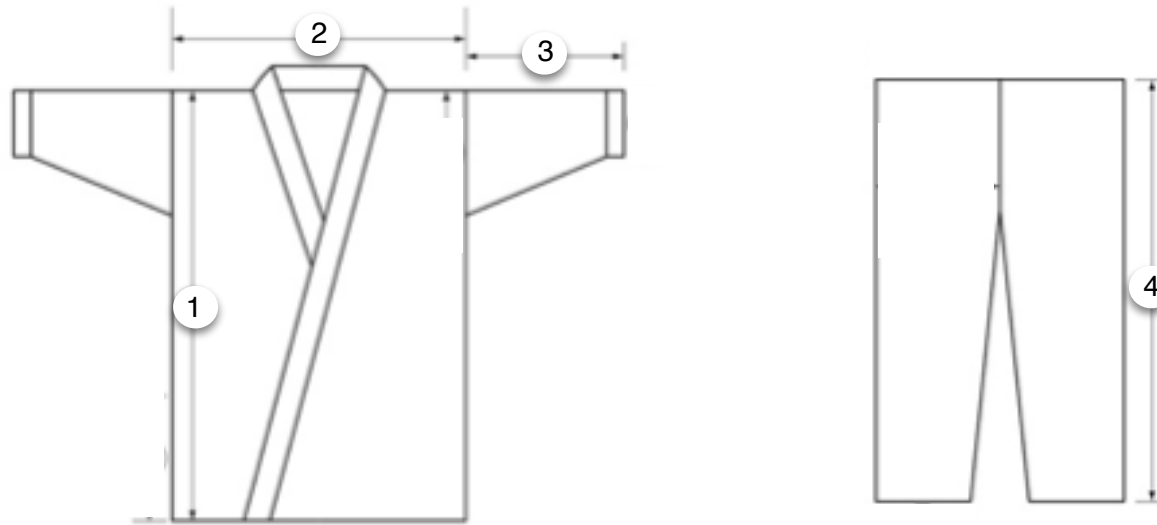


Measurements for the Ibuki TU1 息吹



SIZE	000	00	0	0 1/2	1	1 1/2	2	2 1/2	3	3 1/2	4	4 1/2	5	5 1/2	6	6 1/2	7
1	58	60	62	64	66	68	70	72	74	76	79	82	85	87	90	93	96
2	43	44	45	48	50	52	53	55	57	59	60	62	63	65	66	68	69
3	27	29	30	32	33	35	36	38	39	41	42	44	45	47	48	50	51
4	69	71	74	77	80	83	86	89	92	95	98	101	104	107	110	113	116

Measurements in Centimeters